

Hands-free Color Video Intercom

MASTER

DOOR

8



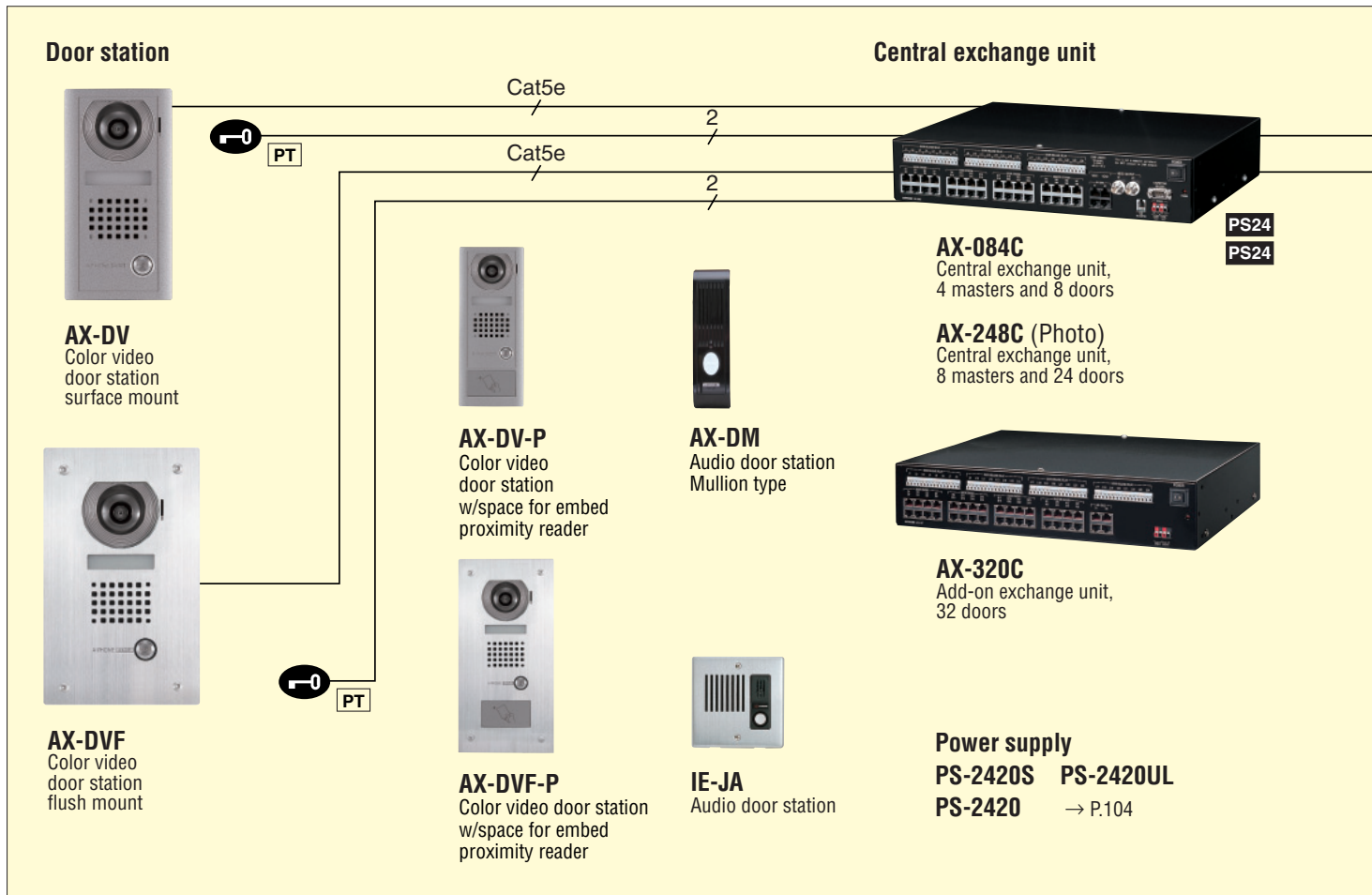
120

AX

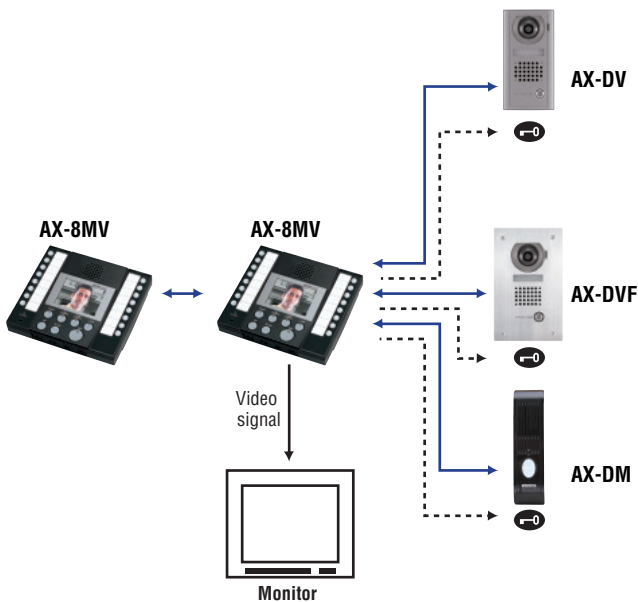
Features

- Up to 120 video entrance stations and 8 master stations
- All wired on CAT5e, homerun cabling
- Total hands-free, auto-voice actuation, communication or Press-to-talk operation

VIDEO ENTRY SECURITY

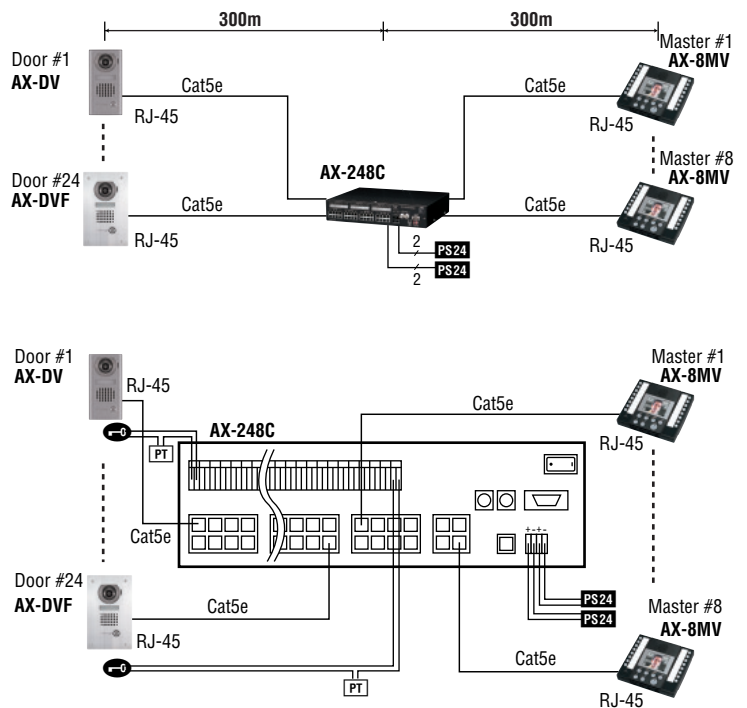


Communication network



← Calling & communication (w/video from door)
 --- Door release

Wiring



PS24 : PS-2420S, PS-2420UL, PS-2420 PT : AC transformer

- Two talk channels and two video channels
- Communication privacy
- Masters available with 3.5 inch color TFT LCD
- Selective door release
- Master-to-master selective calling and All Call
- Standard or Priority call levels from door stations

- Scan monitoring: Hands-free audio/visual monitoring
- Video output from CEU and AX-8MV
- Integrate with CCTV, Access control etc.
- PC interface for programming and event logging
- Rack or wall mountable CEU
- Compatible with IE Series door stations
- Optional features: headset, footswitch, and PC remote control

Master station

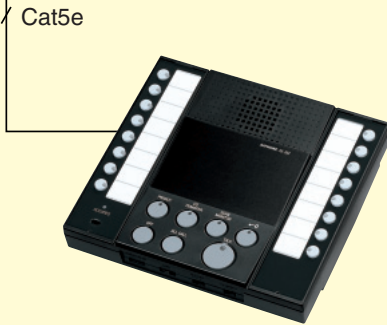


AX-8MV
8-call color monitor master station

AX-8MV-W
(white)



AX-16SW
16-call add-on selector



AX-8M
8-call audio master station



AX-8MV, AX-16SW

Lineup



EL-12S
Electric door strike
→ P.101



AC-10S
Access control keypad, surface mount
→ P.99



AC-10F
Access control keypad, flush mount
→ P.99

Unit dimensions

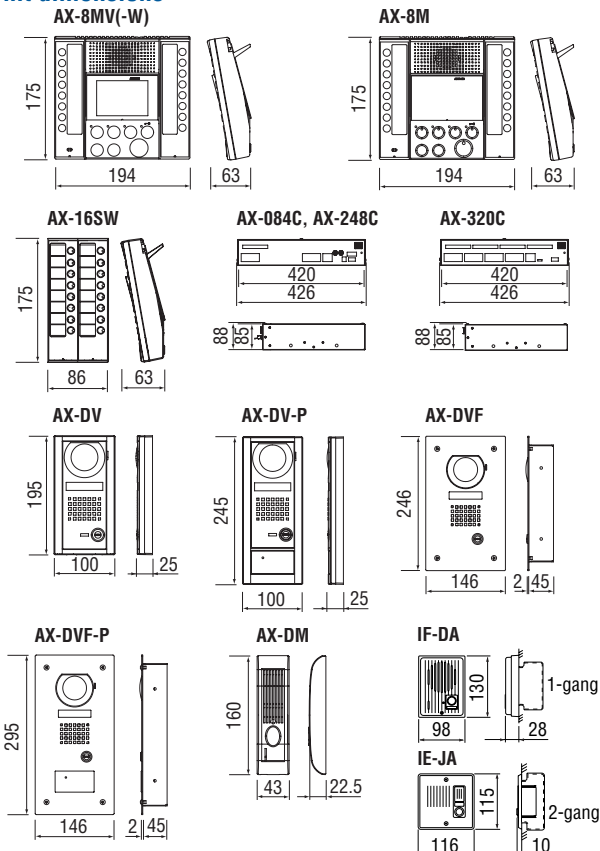
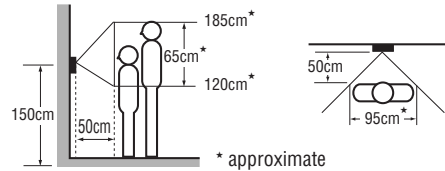


Image view area

- AX-DV, AX-DVF, AX-DV-P, AX-DVF-P



Specifications (AX)

| | |
|----------------------|--|
| Power source | 24V DC, 2A (Two Power supplies per video system) |
| Power supply | PS-2420S, PS-2420UL, PS-2420 |
| Current consumption | AX-084C: Video (Max.) 650mA, Audio (Max.) 700mA AX-248C: Video (Max.) 1150mA, Audio (Max.) 1250mA AX-320C: Video (Max.) 280mA, Audio (Max.) 180mA |
| Calling | Normal call: an intermittent tremolo Priority call: a rapid intermittent tremolo Approx. 10-600 sec. or infinite |
| Communication | AUTOMATIC (Hands-free); To activate, momentarily press TALK button. MANUAL (Press-to-talk/Release-to-listen); To activate, press TALK button for 1 sec. or more. Approx. 30-600 sec. |
| Video monitor | 3.5 inch direct view TFT color LCD |
| Scanning lines | 525 lines |
| Night viewing | Up to 30cm from camera, with white LED projected, background beyond 30cm cannot be seen. |
| Door release contact | 24V AC/DC, 0.5A |
| Outside video output | AX-084C, 248C: NTSC standard 1Vpp (0.7-1.4Vpp) BNC x 2 Switching signal: Open collector output 24V DC, 30mA RJ-45 x 2 |
| Wiring | AX-8MV: NTSC standard 1Vpp (0.7-1.4Vpp) Homerun CAT5e wire to CEU |
| Wiring distance | CEU to door: 300m (CAT5e) CEU to master: 300m (CAT5e) |