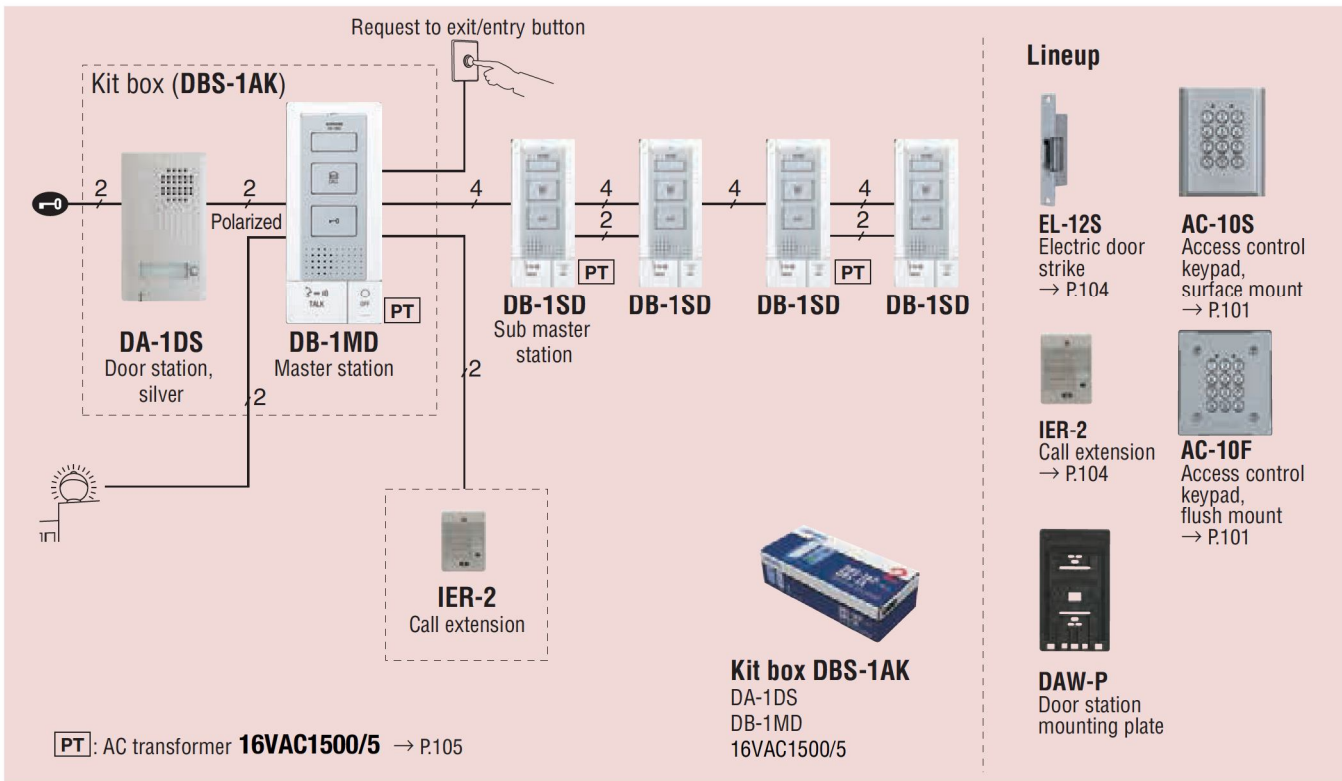


Hands-free Two-Wire Electric Lock Door Phone

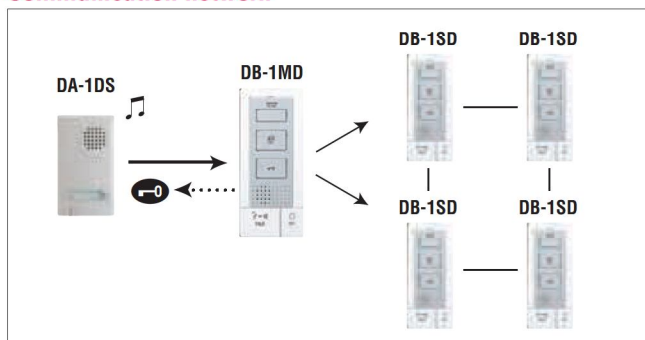
DOOR 1 ROOM 5 DB-1MD



Features

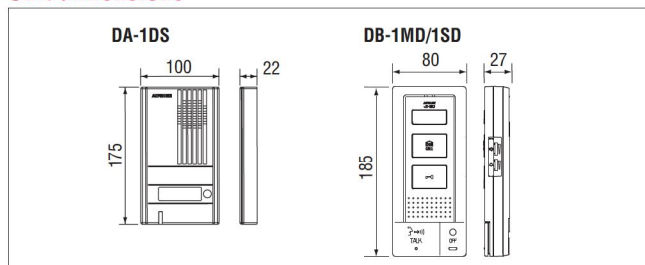
- Door release wired from door station, without additional transformer
- Two-wire system including door release
- Total hands-free communication, auto-voice actuation
- Press-to-talk operation available
- Up to 5 inside stations
- All call for internal communication
- User-optional function button
- Call tone MUTE with indicator
- Call extension sounder
- Directory backlighting
- Continuous chime tone (approx. 4 seconds)

Communication network

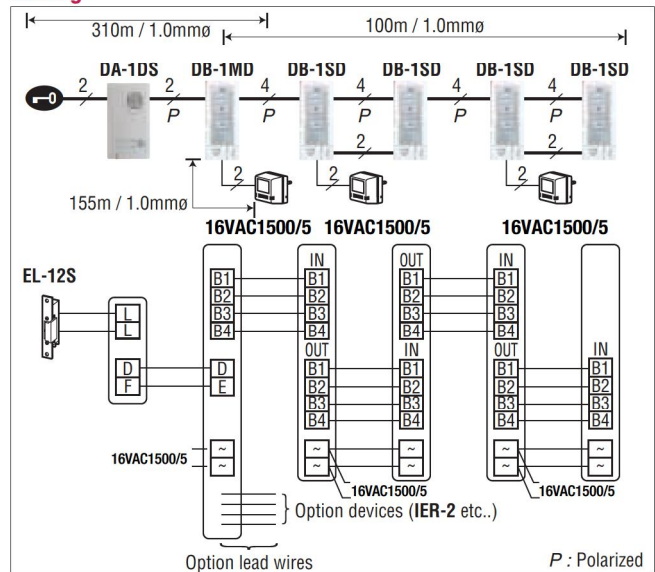


Press "call" button to ring inside station (s).

Unit dimensions



Wiring



Specifications (DB-1MD, 1SD)

Power source	16V AC
AC transformer	16VAC1500/5
Communication	Approx. 1 min. AUTOMATIC (Hands-free); To activate, momentarily press TALK button. MANUAL (Press-to-talk/Release-to-listen); To activate, press TALK button for 1 sec. or more.
Door release	EL-12S or others (More than (AC) 70V, AC 9.5 ~ 20V)
Option contact (AC/DC)	Voltage Max. : 24V, Min. : 1V Current Max. : 1.6A, Min. : 10mA
Wiring	2 wires, throughout AC trans - Master - Door - Door release
Wiring distance	16VAC1500/5 ~ Door rlse. 110m(0.65mmø) 200m(0.8mmø) 310m(1.0mmø) 16VAC1500/5 ~ DB-1MD 55m(0.65mmø) 100m(0.8mmø) 155m(1.0mmø) DB-1MD ~ farthest DB-1SD 100m(0.65 ~ 1.0mmø)