










Chime Tone Intercom

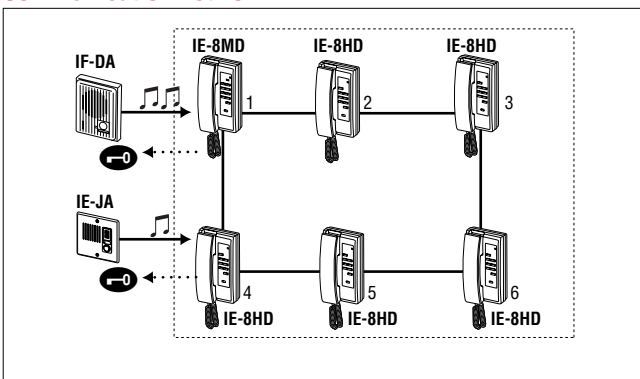
DOOR 2 ROOM 6 IE-8MD

Door station	Master station	Sub station	Lineup
 IE-JA Door station → P.31	 IE-8MD 6-call master	 IE-8HD 6-call sub master	 EL-12S Electric door strike → P.101
 IF-DA Door station → P.31			 AC-10S Access control keypad, surface mount → P.99
			 TAR-3 External signaling relay → P.32
			 AC-10F Access control keypad, flush mount → P.99
			 RY-AC/A External signaling relay → P.101
Power supply PS-1225S PS-1225UL PS-1225 → P.103 PS-1820S PS-1820UL PS-1820 → P.104			

Features

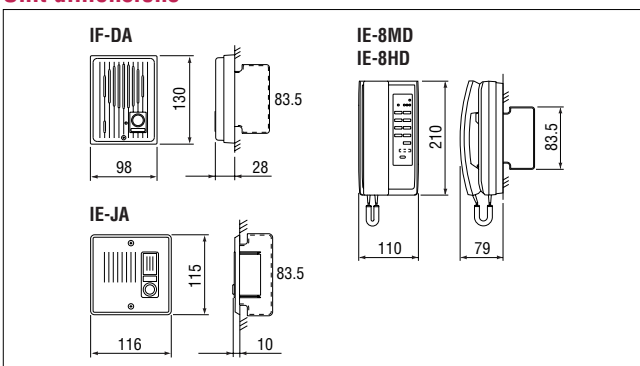
- Expandable to 6-station system
- Selective or All Call between inside stations
- Door select and monitor button (on IE-8MD only)
- AC or DC power source
- Selective door release control
- Chime tone cutout on inside stations, selectable

Communication network

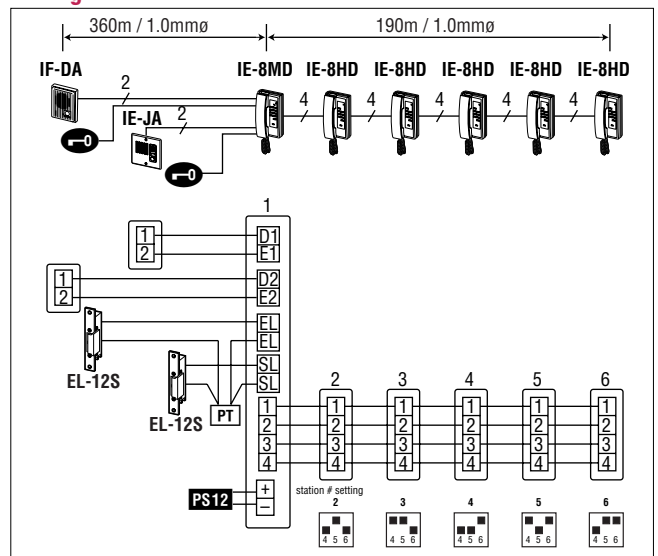


Internal communication by Selective Call or All Call. Chime tone can be muted at each station selectively.

Unit dimensions



Wiring



[PT] : AC transformer [PS12] : PS-1225/S/UL [PS18] : PS-1820/S/UL or AC transformer

Specifications (IE-8MD)

Power source	12~16V AC, 900mA 12~18V DC, 500mA
Power supply	Intercom only; 12V or 18V DC power supply. AC transformer 12V AC, 10VA or 16V AC, 14VA w/no load voltage 20V or less. Intercom + EL-12S; 12V AC, 10VA only
Communication	Door calls in w/4- or 2-tone chime and LED, 45 sec. Pick up any handset to reply. Press 1 ~ 6 to call other station with pretone and voice or All Call. Single channel, common talk system.
Door release	Contact rating: 24V AC/DC, 350mA
Wiring	2 parallel wires, to door. 4 wires in loop, between rooms.
Distance	IE-8MD to door 150m(0.65mmø) 360m(1.0mmø) Rooms 75m(0.65mmø) 190m(1.0mmø)